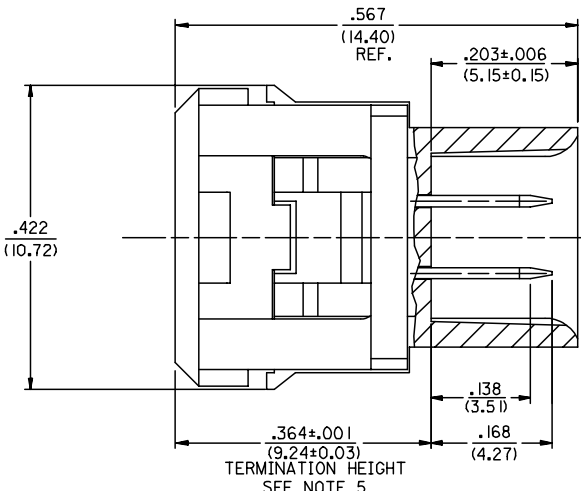
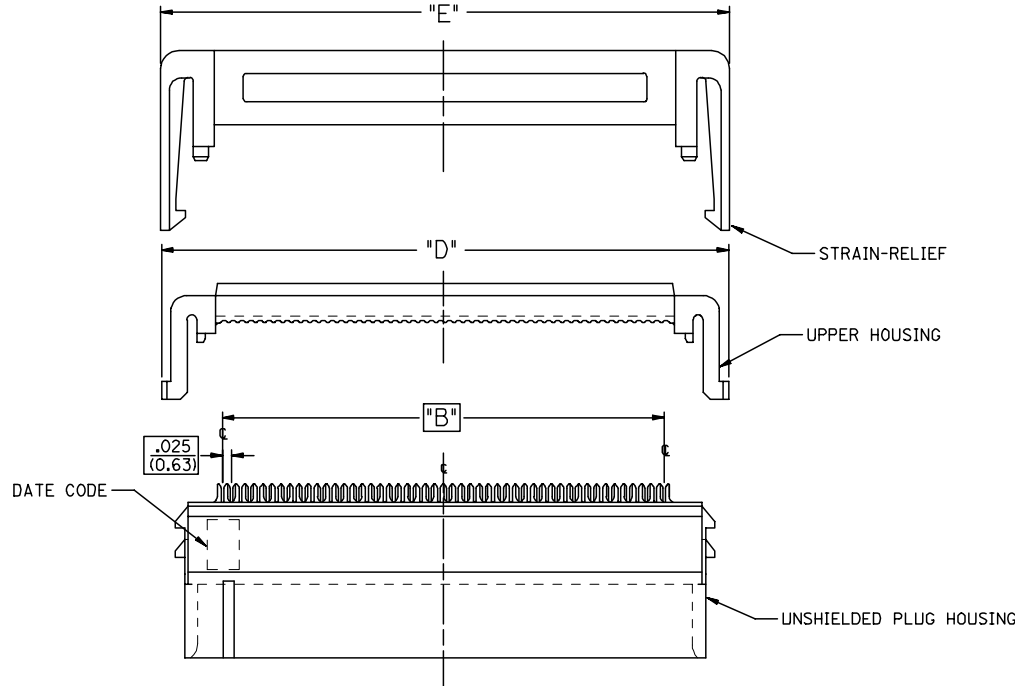


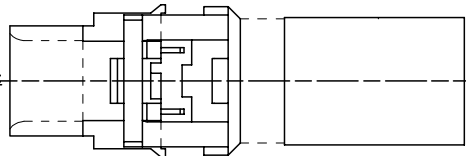
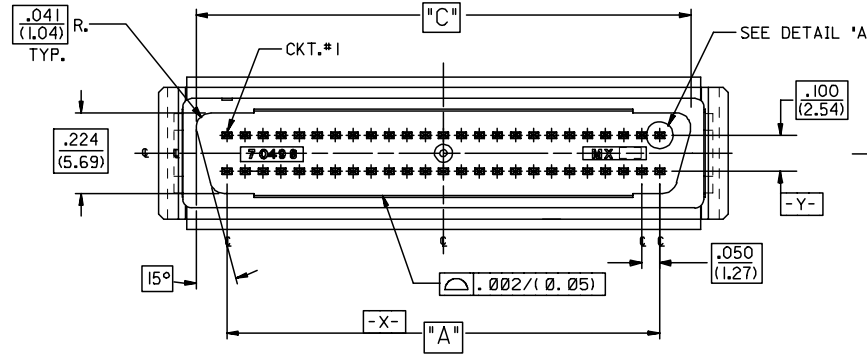
13 12 11 10 9 8 7 6 5 4 3 2 1

J
I
H
G
F
E
D
C
B
A

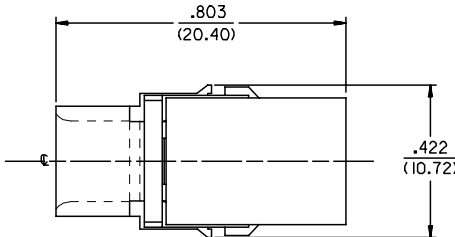
J
I
H
G
F
E
D
C
B
A



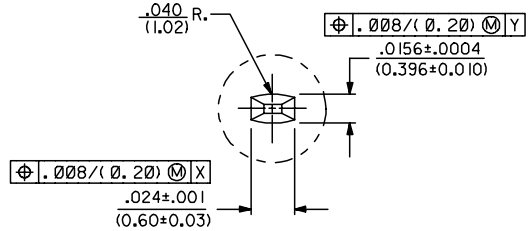
DETAIL "A"
(ASSEMBLED WITHOUT STRAIN-RELIEF)
SCALE 8:1



PRE-LOADED



ASSEMBLED WITH STRAIN RELIEF
(STRAIN RELIEF IS LOADED AFTER TERMINATION)



DETAIL A
SCALE = 20:1

50 CIRCUIT SHOWN

REMOVE OBSOLETE #'S EC NO: UCP2006-2901 DRAWN BY: BARRA 2006/06/12 CHKD: BARKER 2006/06/12 APPR: SMILLER 2006/06/14	QUALITY SYMBOLS ▽=0 ▽=0	GENERAL TOLERANCES (UNLESS SPECIFIED)		DIMENSION STYLE IN/MM		SCALE 4:1	DESIGN UNITS INCH	THIRD ANGLE PROJECTION			
		4 PLACES ± --- ± ---	mm	INCH	DRAWN BY JOLNG	DATE 1995/11/08	TITLE SCSI ALL-PLASTIC MODULAR SUB-ASSEMBLY KIT FOR .025 RIBBON CABLE	Molex MOLEX INCORPORATED			
		3 PLACES ± --- ± .005			CHECKED BY JLONG	DATE 1995/11/08					
		2 PLACES ± 0.13 ± ---			APPROVED BY DCB	DATE 1995/11/08					
1 PLACE ± --- ± ---	ANGULAR ±1/2°		MATERIAL NO. SEE TABLE		DOCUMENT NO. SDMS-70498-5***	SHEET NO. 1 OF 3					
DRAFT WHERE APPLICABLE MUST REMAIN WITHIN DIMENSIONS		SIZE C		THIS DRAWING CONTAINS INFORMATION THAT IS PROPRIETARY TO MOLEX INCORPORATED AND SHOULD NOT BE USED WITHOUT WRITTEN PERMISSION							

3	D
2	F
1	F
	SHT REV

12 11 10 9 8 7 6 5 4 3 2 1

